

VTC Cable Management Systems

Features:

- The most effective way to handle the physical inputs and outputs of a processor and power amplifier rack
- Speeds up setup and teardown in complex touring systems
- Available in two iterations:
 - CMS442i/o with full-range and subwoofer outputs for Front-of-House arrays
 - CMS440i/o configured for side-fill, center fill and monitor systems
- XLR inputs as well as Speakon™ outputs are mounted on the front panel for quick connect
- All processor inputs and power amplifier outputs are connected to the rear and housed safely inside the rack
- Tying in to speaker arrays is as simple as connecting a Speakon™ cable to enclosures
- Minimizes the possibility of configuration errors in the field

Description:

The VTC CMS442i/o and CMS440i/o are the most effective solutions to handle the physical inputs and outputs of a DLMS4080 processor and configured power amplifier rack. XLR inputs as well as Speakon™ outputs are all mounted on the front panels for quick disconnect from the rig, while all processor inputs and power amplifier outputs are connected to the rear of the CMS chassis, safely inside the rack and pre-wired for the specific cabinet array.

In a complex touring application where quick setup and tear down is important to the bottom line, the VTC Cable Management Systems are essential for expediting the load in and load out. All bi-amplified cabinet amplifiers and bridged power amplifiers can be configured carefully and expertly in their racks before being sent to the gig. Tying in to speaker arrays is as simple as connecting a 4-pole Speakon™ to every bi-amplified cabinet or in the case of the CMS442i/o, a 2-pole Speakon™ to each subwoofer from the clearly marked front panel.

The VTC CMS Cable Management Systems also minimize the possibility of wiring and amplifier configuration errors in the field and allows less experienced techs to tie in speaker arrays without close supervision. XLR Thru-puts allow quick scaling of large systems when additional racks & cabinet arrays are required.

CMS442i/o - 4-input / 4 + 2 output Cable Management System

Designed for Elevation Series Line Arrays, the CMS442i/o handles the physical inputs and outputs of a DLMS4080 processor and power amplifiers for a typical 8 x EL210 / 4 x ELS212 system. All inputs and outputs are mounted on the front panel for quick disconnect from the rig, while all processor inputs and power amplifier outputs are connected to the rear of the VTC CMS442i/o chassis inside the rack and pre-wired for the specific array.

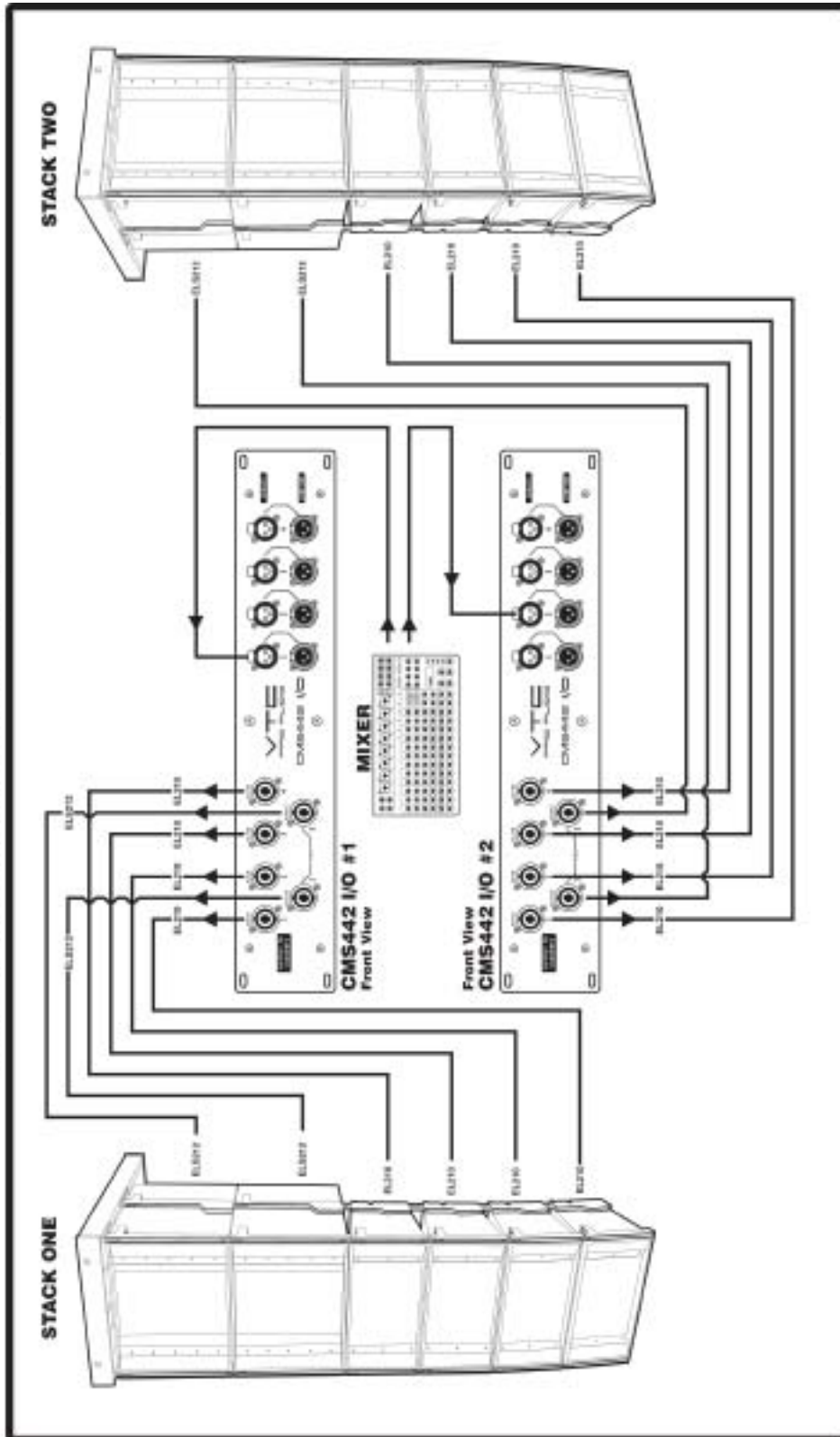


CMS440i/o - 4-input / 4-output Cable Management System

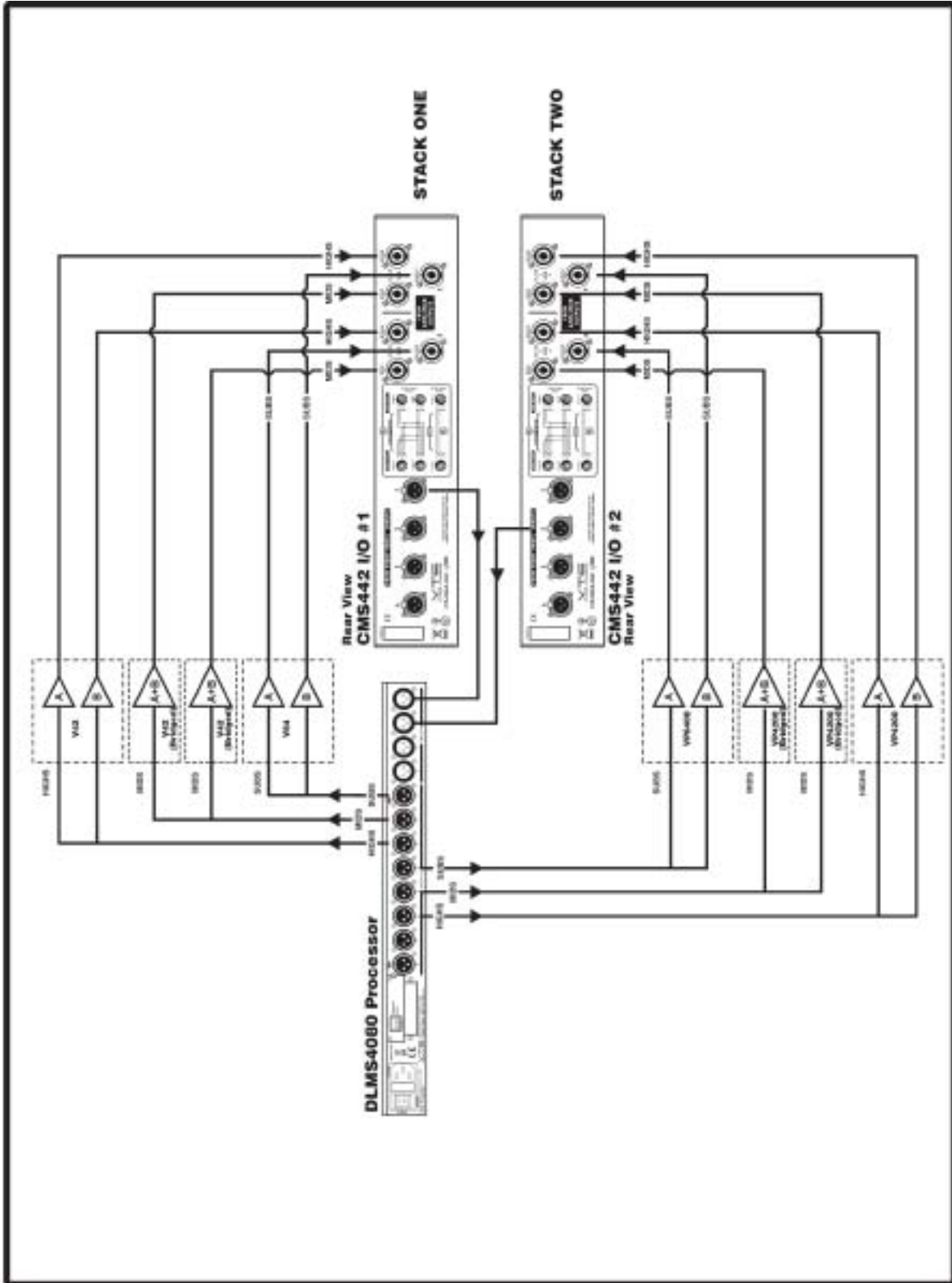
The VTC CMS440i/o handles the physical inputs and outputs of a DLMS4080 processor and power amplifier rack configured for Inception Series C4 cabinets. All inputs and outputs are mounted on the front panel for quick disconnect from the rig, while all processor inputs and power amplifier outputs are connected to the rear of the VTC CMS440i/o chassis inside the rack and pre-wired for even the most complex bi-amplified monitor, sidefill and centerfill clusters.



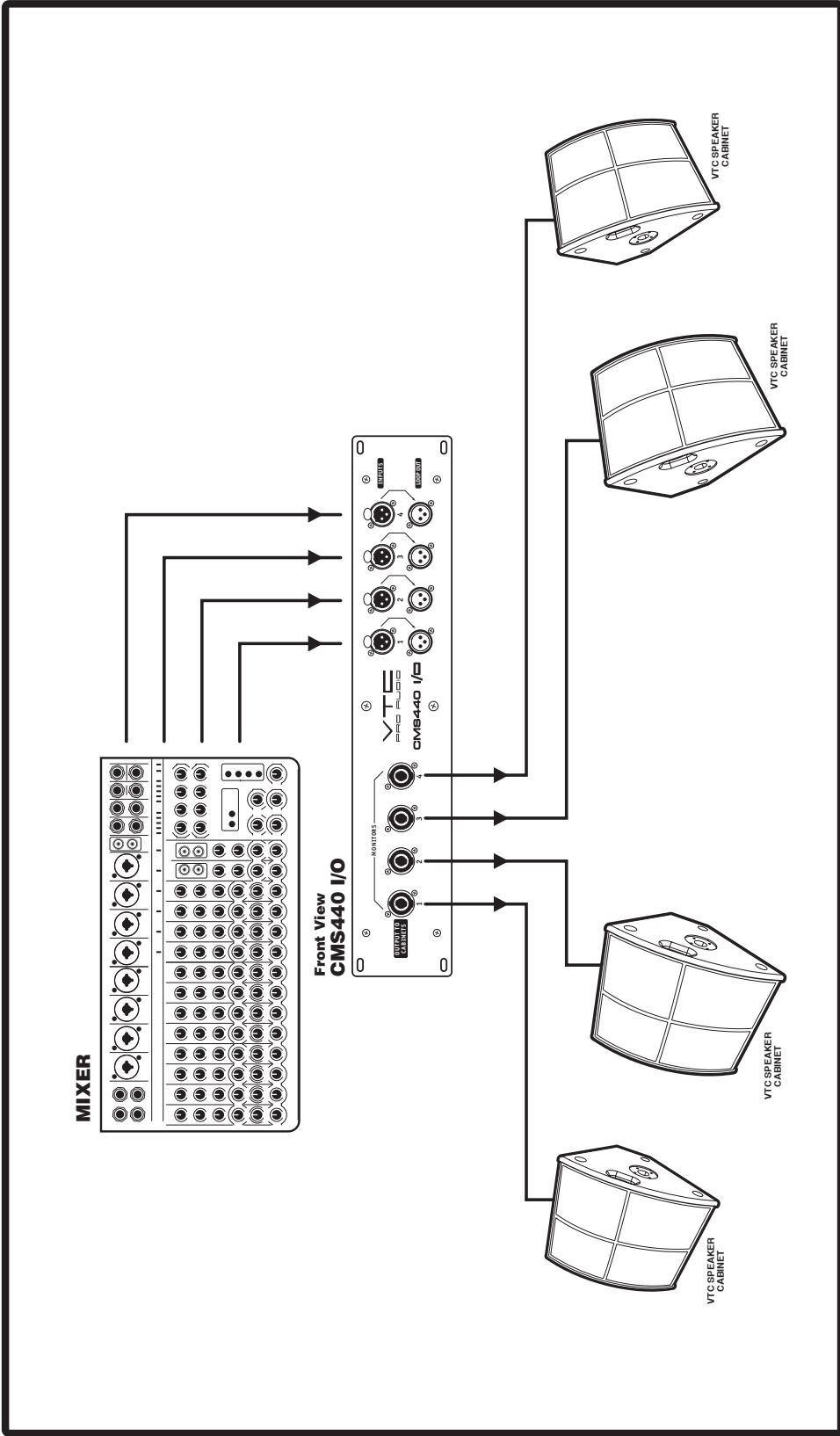
CMS442 I/O SAMPLE FRONT PANEL HOOKUP



CMS442 I/O SAMPLE REAR PANEL HOOKUP



CMS440 I/O SAMPLE FRONT PANEL HOOKUP (Monitor or other Bi-Amplified Cabinet)



CMS440 I/O SAMPLE REAR PANEL BI-AMPLIFIED HOOKUP

